

# Data Sheet

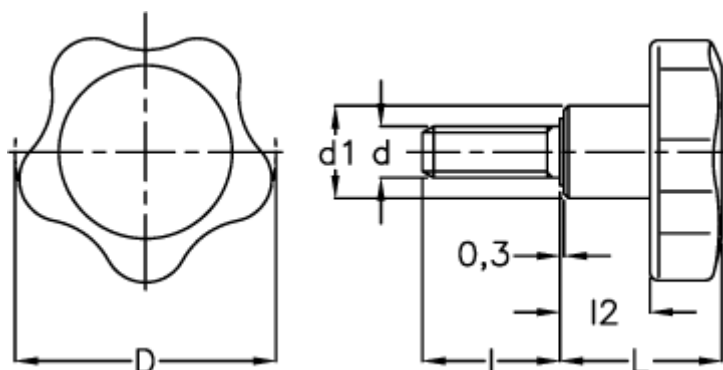


Article number: 2302166568

Description: E+G Lobe knobs  
VC.692/60 SST-p-M10x50

## Measures

---



D	= 60
d1	= 21
d 6g	= M10
l	= 50
L	= 36.5
l2	= 21